

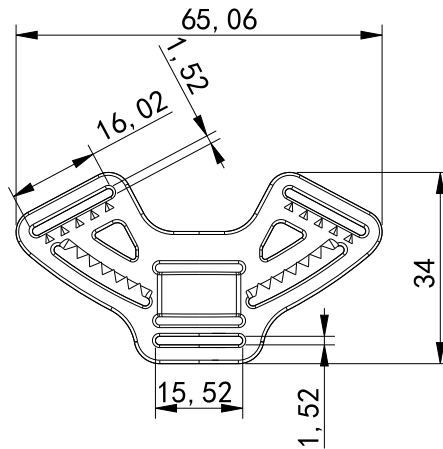
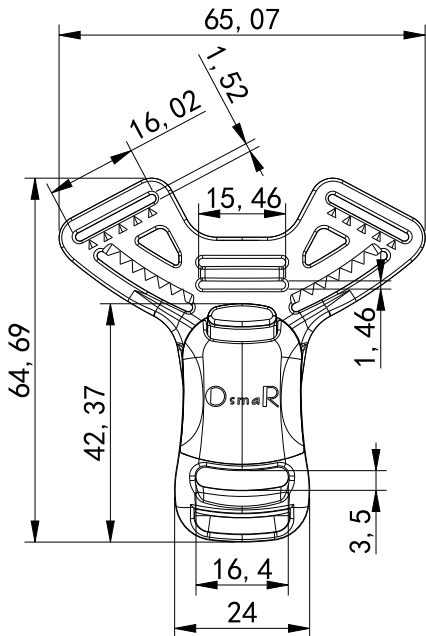
LV16Y



LV16Y



LV16YS



LV16YS

LianYang Plastic (Shen Zhen) Co. Ltd						
GENERAL TOLERANC: 0.0 ± 0.1 0.00 ± 0.05 ANGULAR ± 0.5° GENERAL RADIUS: 0.5 GENERAL CHAMFER: 0.5 GERENAL DRAFT: 1°	DESIGN	Mr Zeng	DATE	2024. 7. 9	FILE NAME	LV16Y-LV16YS
	CHECKED	Mr Li	DATE		PARTS NAME	MD
	APPROVAL		DATE		MATERIAL	
	PROJECTION		SCALE:	0.8	UNIT: MM	SHEET
						1 OF 1